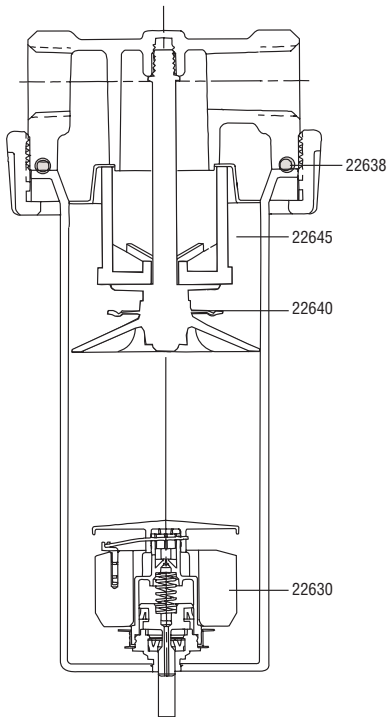


1-6760-1 AIR FILTER W/AUTO DRAIN

(COMP. NO. 22601)

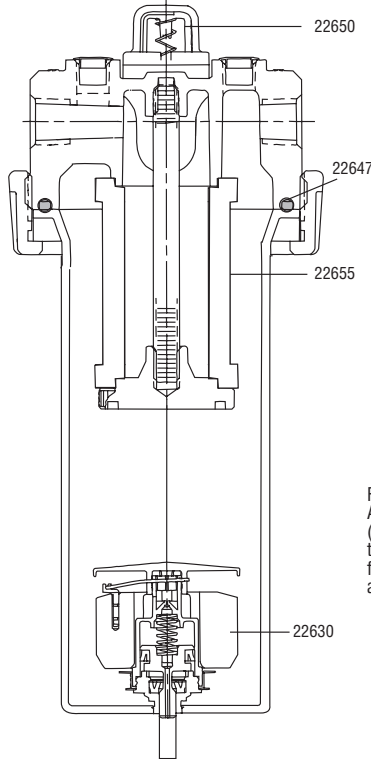


PARTS LIST

PART NO.	DESCRIPTION
22630	1-6760-30; Auto Drain
22632	1-6760-32; Mounting Bracket
22638	1-6760-1-08; O' Ring
22640	1-6760-1-18; Baffle Kit
22645	1-6760-1-19; Filter Element

1-6760-2 COALESCER W/AUTO DRAIN

(COMP. NO. 22602)

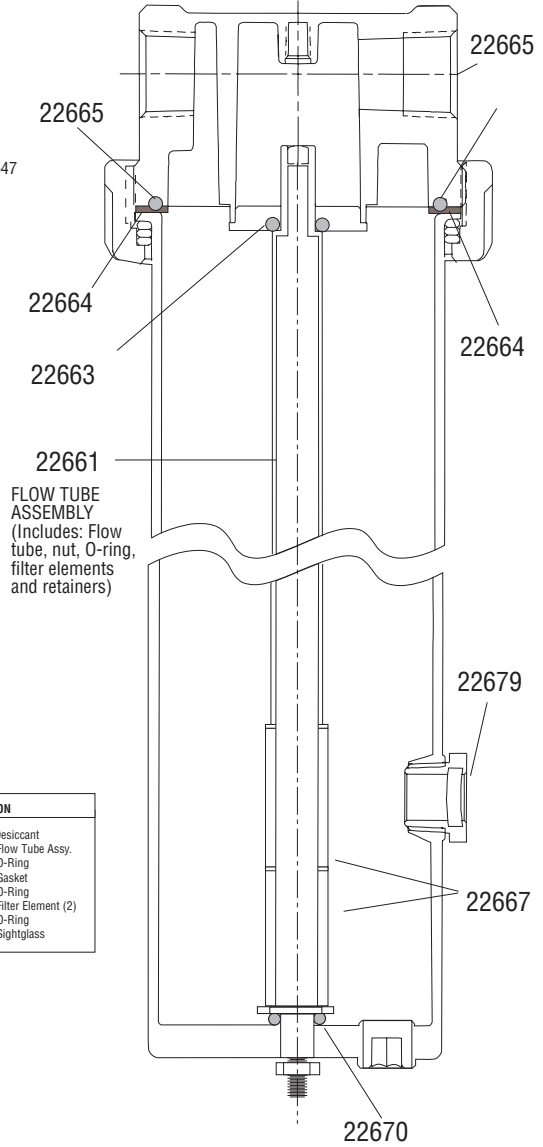


PARTS LIST

DESCRIPTION	PART NO.
1-6760-30; Auto Drain	22630
1-6760-32; Mounting Bracket	22632
1-6760-2-08; O- Ring	22647
1-6760-2-15; Pop-up Indicator Repair Kit	22650
1-6760-2-19; Coalescer Element	22655

1-6760-3 DESICCANT HOUSING

(COMP. NO. 22603)

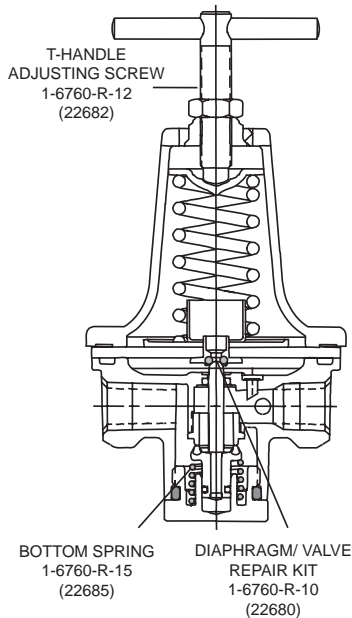


PARTS LIST

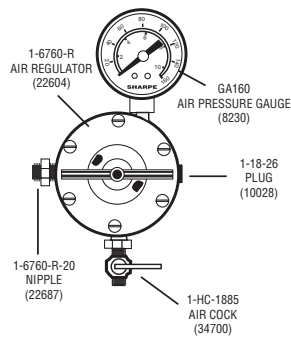
PART NO.	DESCRIPTION
6765-1	6765-1; 5 lb Desiccant
22661	1-6760-3-01; Flow Tube Assy.
22663	1-6760-3-04; O-Ring
22664	1-6760-3-07; Gasket
22665	1-6760-3-08; O-Ring
22667	1-6760-3-19; Filter Element (2)
22670	1-6760-3-25; O-Ring
22679	1-6760-3-40; Sightglass

1-6760-R SELF-RELIEVING AIR REGULATOR

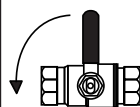
(22604)



DRYAIR DESICCANT SYSTEM (COMPONENTS)



1-6760-X-10 BALL VALVE (22695)



6765-1 REPLACEMENT DESICCANT (6765-1)



MODEL 6760 DRYAIR DESICCANT SYSTEM (6760)

